

Circular Volume Control Dampers

All galvanised construction. Opposed blade operation.
Manual locking handle.

100 Ø	£ 28.28
125 Ø	£ 30.72
150 Ø	£ 33.13
160 Ø	£ 34.13
180 Ø	£ 35.14
200 Ø	£ 36.50
250 Ø	£ 40.10
300 Ø	£ 45.51
315 Ø	£ 47.40
350 Ø	£ 51.19
400 Ø	£ 55.23
450 Ø	£ 60.35
500 Ø	£ 66.39
560 Ø	£ 74.93
600 Ø	£ 85.45
630 Ø	£ 88.80
650 Ø	£ 92.15
700 Ø	£ 100.12
750 Ø	£ 107.06
800 Ø	£ 115.81

Tested to

Suitable for classes A,B & C of DW144

Conforms to HVCA specification DW144

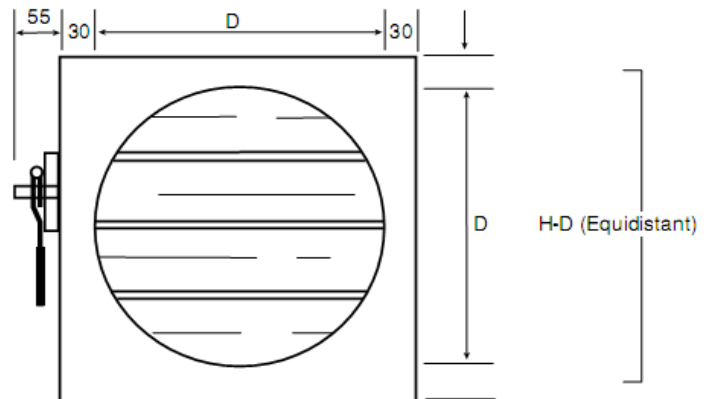
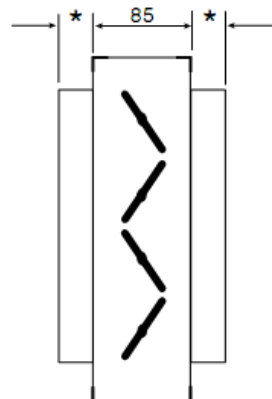
Conforms to Eurovent 2/2 classes A-C

Independent performance tests for pressure loss, leakage and casing air tightness. Test reports 143, 145 and 146 refer respectively.

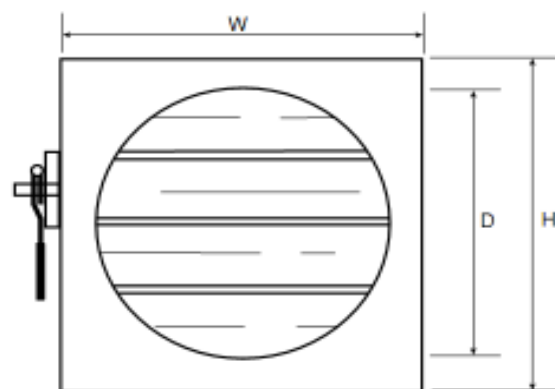
* = 40mm (100 - 400Ø)

* = 55mm (450 - 800Ø)

D = 100Ø - 800Ø



Depth (D)	Width (W)	Height (H)
100	160	140
125	185	195
150	210	210
200	260	260
250	310	320
300	360	385
315	375	385
350	410	385
400	460	460
450	510	510
500	560	580
550	610	640
600	660	700
650	710	770
700	760	770
750	810	830
800	860	895



Other sizes available, please check with our sales office for more information.

Phone : 01279 635651 Fax : 01279 635652