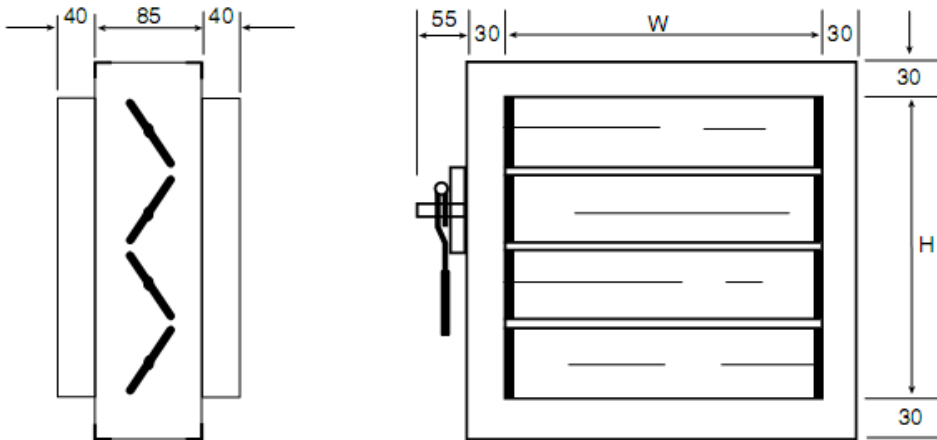


All galvanised construction. Opposed blade operation. Manual locking handle. For intermediate sizes use next size up, for sizes above 1000 x 1000 refer to sales office.

Height	Width																		
	100	150	200	250	300	350	400	450	500	550	600	650	700	750	800	850	900	950	1000
100	22.72	23.42	24.13	24.63	25.95	26.93	27.78	28.63	29.04	30.24	33.11	34.02	34.92	35.73	36.56	37.66	38.57	39.41	40.24
150	26.02	26.73	27.29	28.21	28.84	29.40	29.90	31.10	32.01	33.06	35.66	36.86	37.69	38.58	39.34	40.47	41.61	42.14	43.03
200	28.63	29.26	29.54	31.02	31.37	31.94	33.40	33.84	34.33	35.02	38.66	39.71	40.69	41.30	42.20	43.73	44.40	45.23	46.00
250	31.02	31.30	31.86	32.42	34.04	34.82	35.81	36.30	36.93	38.33	41.52	42.04	43.47	44.23	45.27	46.37	47.28	48.05	48.80
300	33.63	34.54	35.24	36.15	36.78	37.00	37.57	39.39	40.58	41.22	44.37	45.35	46.70	47.60	48.12	49.33	50.46	51.22	52.21
350	36.49	37.06	38.70	39.12	39.76	41.32	41.88	42.54	43.38	44.59	48.06	49.33	49.93	50.75	51.73	52.97	53.72	54.64	55.70
400	40.68	41.47	41.88	42.54	43.03	43.88	44.66	45.73	46.79	47.85	51.51	52.11	53.00	54.13	54.88	56.14	57.20	58.19	59.25
450	44.38	45.01	45.51	46.22	46.87	47.36	48.14	48.71	49.28	50.77	54.66	55.71	56.77	57.51	58.57	60.31	61.37	62.29	63.20
500	46.09	46.58	47.14	47.58	48.85	50.27	50.84	52.55	53.60	54.74	58.79	59.84	60.82	61.86	62.77	64.79	65.99	66.91	68.04
550	48.71	49.42	50.13	50.69	51.40	53.55	54.74	55.39	56.66	57.65	61.95	63.44	64.28	65.55	66.67	68.42	69.87	71.00	71.99
600	52.60	53.18	54.03	54.61	55.40	57.25	58.12	59.56	60.69	61.78	65.85	66.75	68.24	69.90	70.95	72.75	74.03	75.17	76.54
650	56.61	57.25	58.05	58.76	59.48	60.34	61.20	62.06	63.57	64.79	69.07	70.88	72.97	74.17	75.45	77.60	78.88	79.87	81.31
700	59.84	60.64	61.49	62.21	63.07	63.64	64.63	66.22	67.86	68.95	73.06	75.08	76.96	77.71	79.58	82.06	83.66	85.09	86.76
750	61.64	62.42	62.99	63.64	65.14	66.72	68.23	69.52	71.16	72.52	77.71	79.13	80.79	82.28	83.86	86.09	87.90	89.42	90.32
800	64.37	65.07	65.86	66.72	67.43	68.44	70.38	73.09	75.03	77.12	81.99	83.71	85.59	87.39	89.05	91.45	93.65	94.88	96.38
850	68.57	69.50	70.30	71.25	72.11	72.98	76.02	77.17	79.70	81.88	87.59	89.26	90.24	92.19	94.18	95.94	98.50	100.09	101.76
900	72.18	73.20	74.07	75.00	75.80	76.67	79.70	80.58	83.76	85.06	91.01	92.68	94.71	96.69	98.59	100.70	102.75	104.19	106.24
950	75.80	76.88	77.82	78.90	79.70	82.02	83.25	84.49	87.30	88.60	95.94	96.91	100.33	100.93	102.53	105.26	107.30	109.04	111.00
1000	79.41	80.21	81.08	82.97	84.77	86.79	88.53	90.49	92.30	94.40	100.62	102.53	104.56	106.46	108.58	110.56	112.45	114.57	116.53



## Dimensions

### Tested to

Suitable for classes A, B & C of DW144

Conforms to HVCA specification DW144

Conforms to Eurovent 2/2 classes A-C

Independent performance tests for pressure loss, leakage and casing air tightness.

Test reports 143, 145 and 146 refer respectively.

Full range of Sealed & Non Sealed Control and Balancing dampers with associated controls are available to order. **Phone : 01279 635651 Fax : 01279 635652**

## Volume Control Dampers Flanged

All galvanised construction. Opposed blade operation. Manual locking handle. For intermediate sizes use next size up, for sizes above 1000 x 1000 refer to sales office.

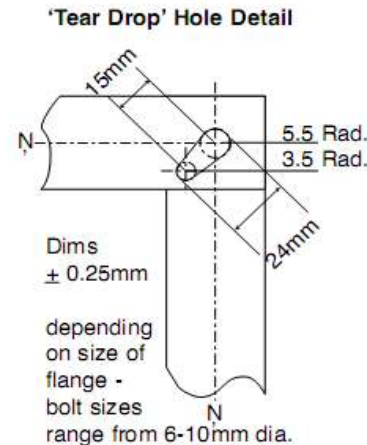
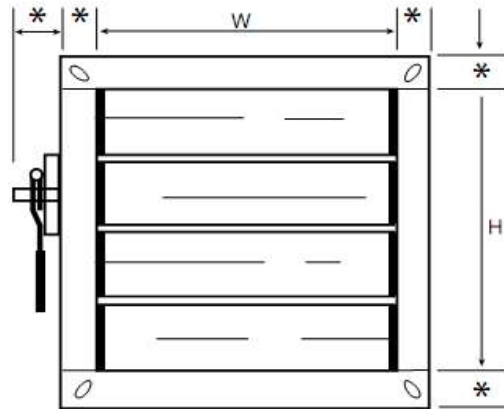
Height	Width																		
	100	150	200	250	300	350	400	450	500	550	600	650	700	750	800	850	900	950	1000
100	22.72	23.42	24.13	24.63	25.95	26.93	27.78	28.63	29.04	30.24	33.11	34.02	34.92	35.73	36.56	37.66	38.57	39.41	40.24
150	26.02	26.73	27.29	28.21	28.84	29.40	29.90	31.10	32.01	33.06	35.66	36.86	37.69	38.58	39.34	40.47	41.61	42.14	43.03
200	28.63	29.26	29.54	31.02	31.37	31.94	33.40	33.84	34.33	35.02	38.66	39.71	40.69	41.30	42.20	43.73	44.40	45.23	46.00
250	31.02	31.30	31.86	32.42	34.04	34.82	35.81	36.30	36.93	38.33	41.52	42.04	43.47	44.23	45.27	46.37	47.28	48.05	48.80
300	33.63	34.54	35.24	36.15	36.78	37.00	37.57	39.39	40.58	41.22	44.37	45.35	46.70	47.60	48.12	49.33	50.46	51.22	52.21
350	36.49	37.06	38.70	39.12	39.76	41.32	41.88	42.54	43.38	44.59	48.06	49.33	49.93	50.75	51.73	52.97	53.72	54.64	55.70
400	40.68	41.47	41.88	42.54	43.03	43.88	44.66	45.73	46.79	47.85	51.51	52.11	53.00	54.13	54.88	56.14	57.20	58.19	59.25
450	44.38	45.01	45.51	46.22	46.87	47.36	48.14	48.71	49.28	50.77	54.66	55.71	56.77	57.51	58.57	60.31	61.37	62.29	63.20
500	46.09	46.58	47.14	47.58	48.85	50.27	50.84	52.55	53.60	54.74	58.79	59.84	60.82	61.86	62.77	64.79	65.99	66.91	68.04
550	48.71	49.42	50.13	50.69	51.40	53.55	54.74	55.39	56.66	57.65	61.95	63.44	64.28	65.55	66.67	68.42	69.87	71.00	71.99
600	52.60	53.18	54.03	54.61	55.40	57.25	58.12	59.56	60.69	61.78	65.85	66.75	68.24	69.90	70.95	72.75	74.03	75.17	76.54
650	56.61	57.25	58.05	58.76	59.48	60.34	61.20	62.06	63.57	64.79	69.07	70.88	72.97	74.17	75.45	77.60	78.88	79.87	81.31
700	59.84	60.64	61.49	62.21	63.07	63.64	64.63	66.22	67.86	68.95	73.06	75.08	76.96	77.71	79.58	82.06	83.66	85.09	86.76
750	61.64	62.42	62.99	63.64	65.14	66.72	68.23	69.52	71.16	72.52	77.71	79.13	80.79	82.28	83.86	86.09	87.90	89.42	90.32
800	64.37	65.07	65.86	66.72	67.43	68.44	70.38	73.09	75.03	77.12	81.99	83.71	85.59	87.39	89.05	91.45	93.65	94.88	96.38
850	68.57	69.50	70.30	71.25	72.11	72.98	76.02	77.17	79.70	81.88	87.59	89.26	90.24	92.19	94.18	95.94	98.50	100.09	101.76
900	72.18	73.20	74.07	75.00	75.80	76.67	79.70	80.58	83.76	85.06	91.01	92.68	94.71	96.69	98.59	100.70	102.75	104.19	106.24
950	75.80	76.88	77.82	78.90	79.70	82.02	83.25	84.49	87.30	88.60	95.94	96.91	100.33	100.93	102.53	105.26	107.30	109.04	111.00
1000	79.41	80.21	81.08	82.97	84.77	86.79	88.53	90.49	92.30	94.40	100.62	102.53	104.56	106.46	108.58	110.56	112.45	114.57	116.53

\* = 35mm flange - 50mm spindle.

\* = 30mm flange - 55 mm spindle.



B = 35mm Standard.  
20,25 & 30mm to order.



### Dimensions

### Tested to

Suitable for classes A & B of DW144

Conforms to HVCA specification DW144

Conforms to Eurovent 2/2 classes A-C

Independent performance tests for pressure loss, leakage and casing air tightness. Test reports 143, 145 and 146 refer respectively.

